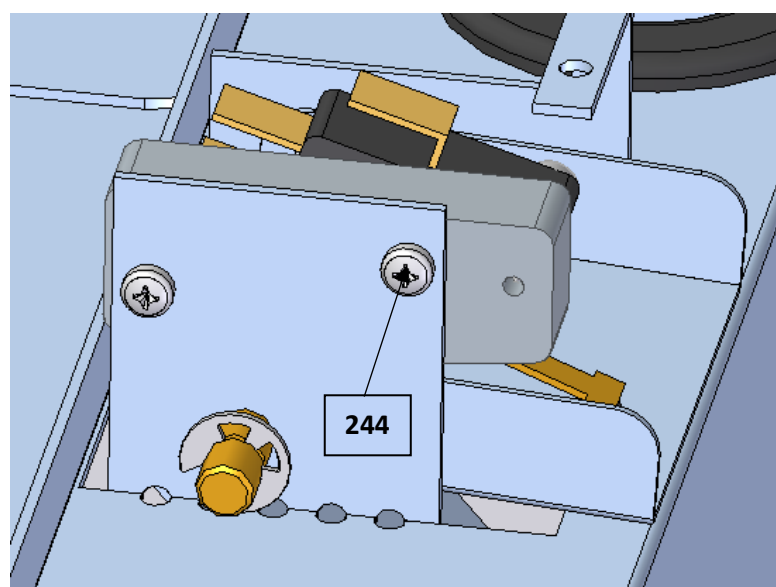
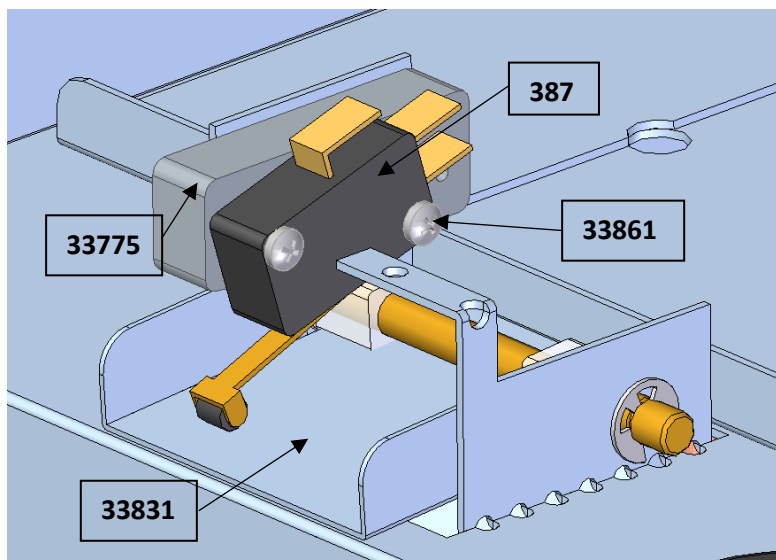


1. COMPONENTS "33885 IQ STOP SYSTEM KIT".

CODE	DESCRIPTION	UD.
33831	IQ STOP BACULE FLAP	1
387	MICRO-SWITCH ROLER-ARM	1
33775	SUPPLEMENT IQ STOP BACULE FLAP	1
244	SCREW R/2.9*9.5 D7971 INOX	2
33861	SCREW R/2.9*19 INOX	2

**2. ASSEMBLY**

- Fit the new sheet metal (33831).
- Screw the micro (387) to the supplement (33775) with the screws 33861.
- Screw the supplement with the micro to the bridge plate with the screws 244.